
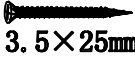


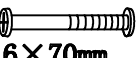
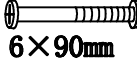

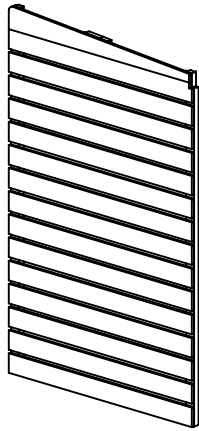


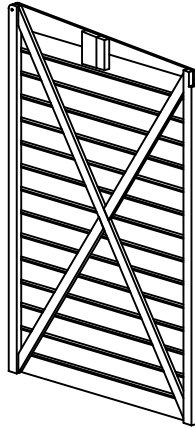
ASSEMBLY INSTRUCTIONS

P1	 4×45mm	6pcs+1spare	P2	 3.5×25mm	5pcs+1spare			
P3	 3×16mm	38pcs+1spare	P4	 3×10mm	4pcs+1spare			
P5	 6×70mm	2pcs	P6	 6×90mm	3pcs	P7		2pcs



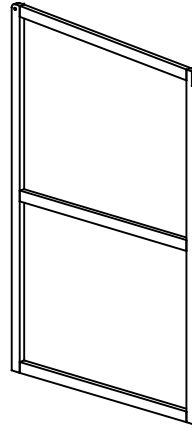
Ⓐ×1

Side-left



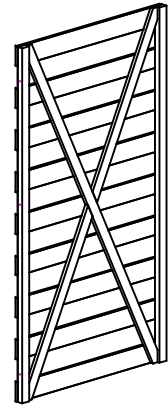
Ⓐ₂×1

Side-right



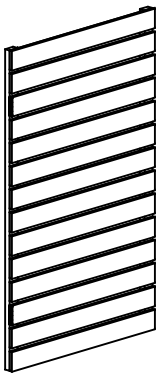
Ⓑ×1

Middle



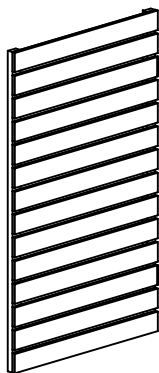
Ⓒ×2

Back



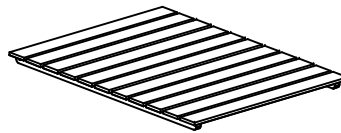
Ⓓ₁×1

Front-left



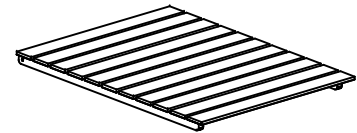
Ⓓ₂×1

Front-right



Ⓕ₁×1

Lid-left



Ⓕ₂×1

Lid-right



Ⓖ×2

Front Bars



Ⓕ×2

Bottom Bars

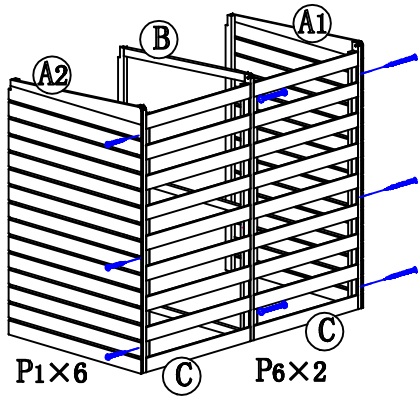


Ⓘ×2

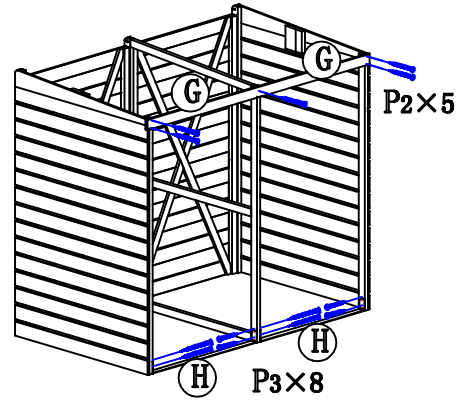
Gas Lift struts

ASSEMBLY INSTRUCTIONS

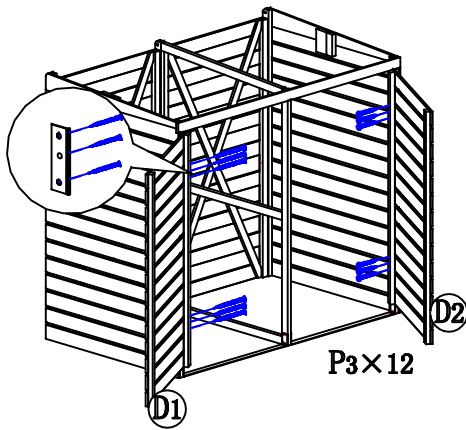
When assembling two pieces of board C, please note their screw holes should be asymmetric.



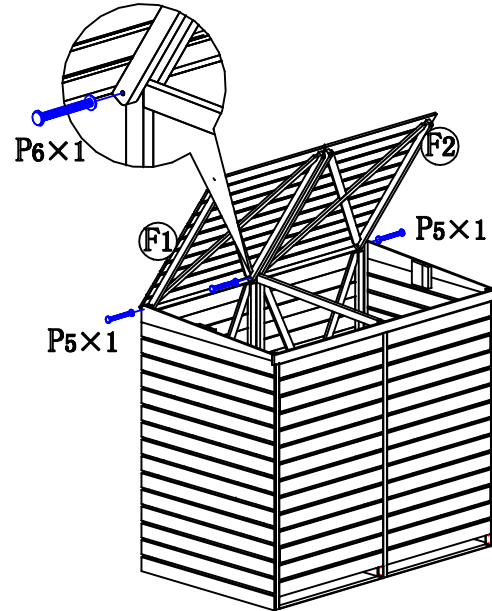
Step1



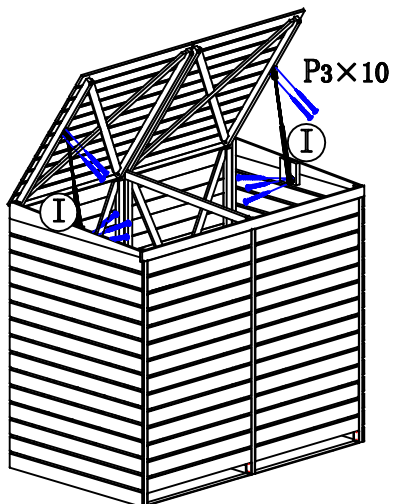
Step2



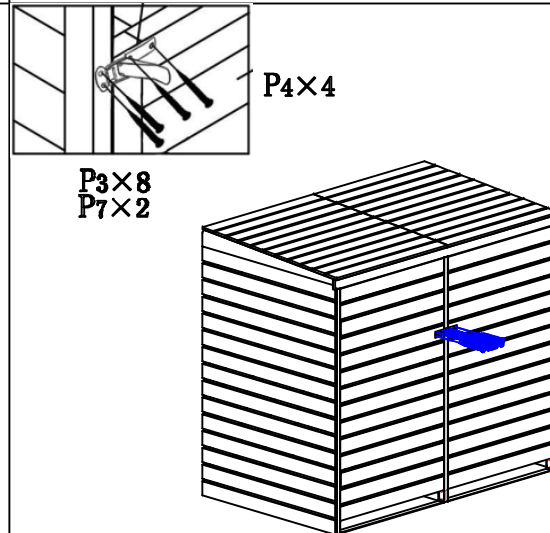
Step3



Step4



Step5



Step6